

On-Grade Finished Area Floor Drains

FD-200-A

Floor Drain with Round Strainer



Model Number	Weight (lbs.)	Str. Size	Outlet Size	Strainer	List Price
FD-202, 3, 4-A5	8	5"	2, 3, 4"	nickel bronze	\$414.50
FD-202, 3, 4-A6	9.5	6"	2, 3, 4"	nickel bronze	526.50
FD-202, 3, 4-A7	12	7"	2, 3, 4"	nickel bronze	617.00
FD-202, 3, 4-A8	16	8"	2, 3, 4"	nickel bronze	790.00
FD-202, 3, 4-A10	20	10"	2, 3, 4"	nickel bronze	1098.50

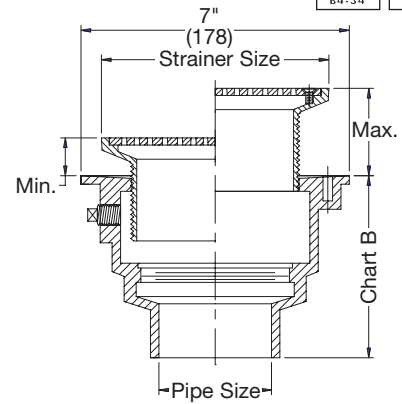


Chart A		
Strainer	Min.	Max.
5"	7/16"	2 1/4"
6"	5/8"	2 1/4"
7"	11/16"	2 1/4"
8"	3/4"	2 3/4"
10"	1"	2 1/4"

Chart B			
Pipe Size	No Hub	Push On	PVC/ABS
2"	4 3/4"	5 1/2"	4"
3"	4 3/4"	5 1/2"	4"
4"	4 3/4"	5 1/2"	4"

FD-200-B

Floor Drain with Round Heavy Duty Strainer



Model Number	Weight (lbs.)	Str. Size	Outlet Size	Strainer	List Price
FD-202, 3, 4-B5-4	13	5"	2, 3, 4"	ductile iron	\$419.50
FD-202, 3, 4-B5	8	5"	2, 3, 4"	nickel bronze	530.50
FD-202, 3, 4-B6	9.5	6"	2, 3, 4"	nickel bronze	733.00
FD-202, 3, 4-B8	16	8"	2, 3, 4"	nickel bronze	992.50
FD-202, 3, 4-B10	20	10"	2, 3, 4"	nickel bronze	1,305.00

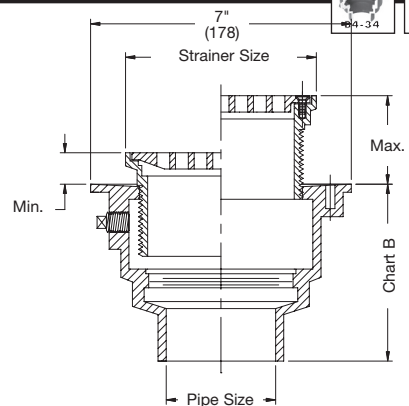


Chart A		
Strainer	Min.	Max.
5"	1"	2 1/4"
6"	1"	2 1/4"
8"	1 7/16"	2 3/4"
10"	1"	2 1/4"

Chart B			
Pipe Size	No Hub	Push On	PVC/ABS
2"	4 3/4"	5 1/2"	4"
3"	4 3/4"	5 1/2"	4"
4"	4 3/4"	5 1/2"	4"

Note: Funnels are ordered separately.
See page 63 for details.

Options for FD-200 Series:

Suffix	Description	List Price	Suffix	Description	List Price
None	No Hub Outlet	No Add	-15	Strainer Extension (DD-50)	\$141.00
P	Push-On Outlet	No Add	-60	PVC Body w/Socket Outlet	No Add
X	Inside Caulk	No Add	-61	ABS Body w/Socket Outlet	No Add
-5	Sediment Bucket	\$108.00	-F4-50	4" Round Cast Iron Funnel	179.00
-6	Vandal Proof	54.50	-F4-1	4" Round Nickel Bronze Funnel	428.00
-7	Trap Primer Tapping	No Add	-F6-1	6" Round Nickel Bronze Funnel	625.50
-8	Ball Float Backwater Valve (2,3,4" Only)	377.50	-G-50	4x9" Oval Cast Iron Funnel	423.00
-13	Galvanized Body	195.50	-G-1	4x9" Oval Nickel Bronze Funnel	872.00



Consult factory for all applications outside of listed parameters.
Prices do not include applicable taxes.